



P/N:AST-RWP01B-80WW1CYT1SA2-abcef

**Note:**

The letter “a” can be 2 letters represent lamp colors, “BH = Black、WH=White、BR=Brown or Customized”

The letter b can be “P” for Photocontrol or blank for no control function, or “M” for motion sensor, “R” for 12V PIR control, “PM” for photocontrol+motion sensor, “PR” for photocontrol+PIR sensor;

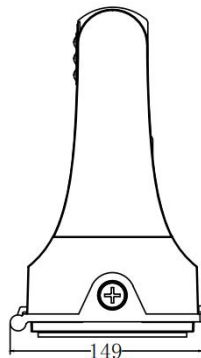
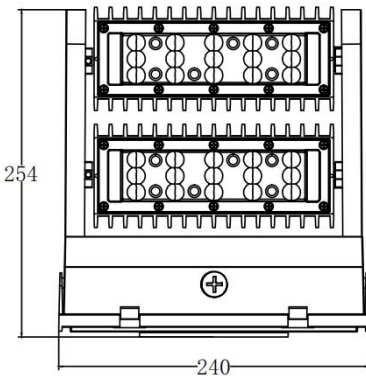
The letter c can be any character or empty,S=surge protector,empty means no surge protector ;

The letter e can be two digits to represent CCT,40=4000K,45=4500K,50=5000K,5700K;

The letter f can be “F” for Auxiliary output 12V or empty for no Auxiliary output 12V.



**DIMENSIONS**



**ADVANTAGE**

- UL cUL DLC certificate;
- IP65 Internal driver, Input voltage 120-277VAC;
- No UV or IR in the beam;
- Easy to install and operate;
- Energy saving, long lifespan;
- Instant start, NO humming;
- Green and eco-friendly without mercury.

**APPLICATION**

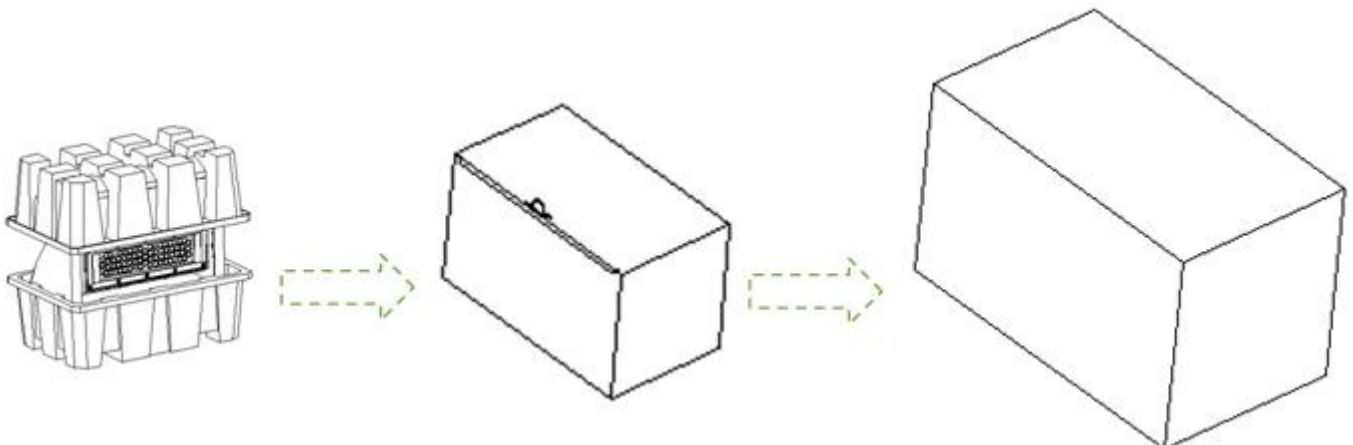
- ◆ Entrance lighting, courtyard lighting;
- ◆ Industrial lighting, Outdoor landscape lighting;
- ◆ Building, The hotel;
- ◆ Wall lighting area and so on.

## SPECIFICATIONS

<b>OPTICAL</b>	Input Power	80W
	Lumen	10400-11200LM
	Lumen Efficacy	130-140LM/W
	Color Temperature	4000K, 4500K, 5000K, 5700K
	CRI	>70
	Viewing Angle	60 Degree
<b>ELECTRICAL</b>	Input Voltage	120-277VAC 50/60Hz
	PF	≥0.9
	THD	≤20%
	Driver Model	WP-HHA-075U0441700
<b>MATERIALS</b>	LED Brand	Seoul
	LED Type	SMD 3030
	LED QTY	98 PCS
	Housing	Aluminum Alloy
	Housing Color	Black / Brown/white/customized
	Waterproof Rating	WET (IP65)
<b>OTHERS</b>	Operating Temperature	-30°C TO 45°C
	Operating Humidity	10%-90% RH
	Storage Temperature	-40°C TO 80°C
	Storage Humidity	10%-95% RH
	Warranty Time	5 Years

## PACKAGE

Lamp Net Weight	Size	Qty/Carton	Gross Weight / Carton
2.68 kg/pc	415 x 310 x 320 mm	2 pcs	7.2 kg



## LIGHT DISTRIBUTION TESTING PARAMETERS

### Luminaire Property

Luminaire Manufacturer:  
Voltage: 120.0 V  
Power: 77.85 W

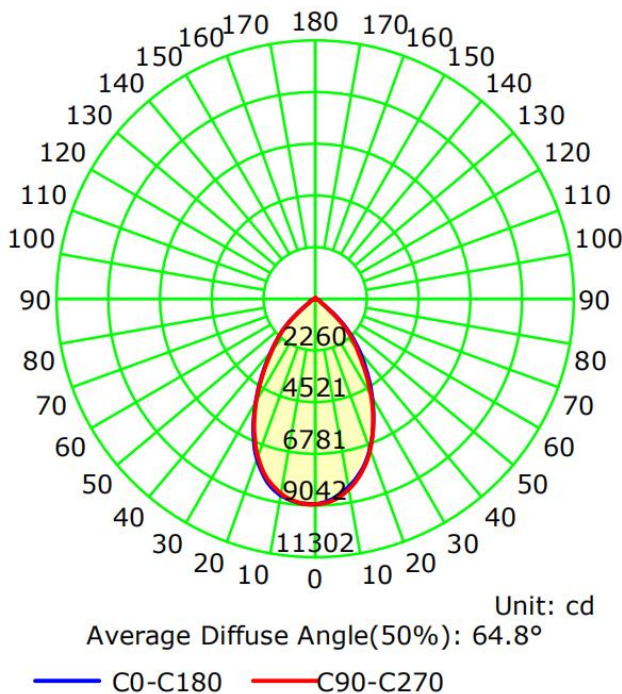
Current: 0.652 A  
Power Factor: 0.995

### Photometric Results

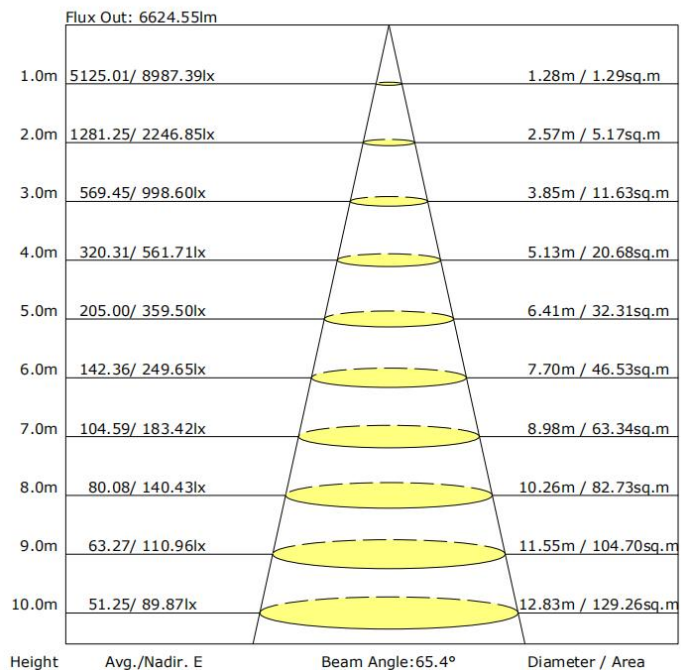
IES Classification: Type I  
Total Rated Lamp Lumens: 10963.9 lm  
Efficiency: 100%  
Upward Ratio: 1%  
Central Intensity: 8987.39 cd  
Pos of Max. Intensity: H202.5 V3

Longitudinal Classification: Very Short  
Measurement Flux: 10963.9 lm  
Downward Ratio: 99%  
Luminaire Efficacy Rating (LER): 140.88  
Max. Intensity: 9042.26 cd

Luminous Intensity Distribution Curve



The Average Illuminance Effective Figure



### NOTICE FOR USER

- Please turn off power before install or change assembly parts.
- The input voltage and lamps should be matched, after connecting the power line, Please make sure the wiring section is insulated.
- No-professionals, must not install and disassemble the lamps.

### TROUBLE SHOOTINGS

Troubles	Check points
Flickering of the light	Turn off the power and turn on again in 3 minutes. If same phenomena occur, then call agencies.
Out of working	Please check the connection.