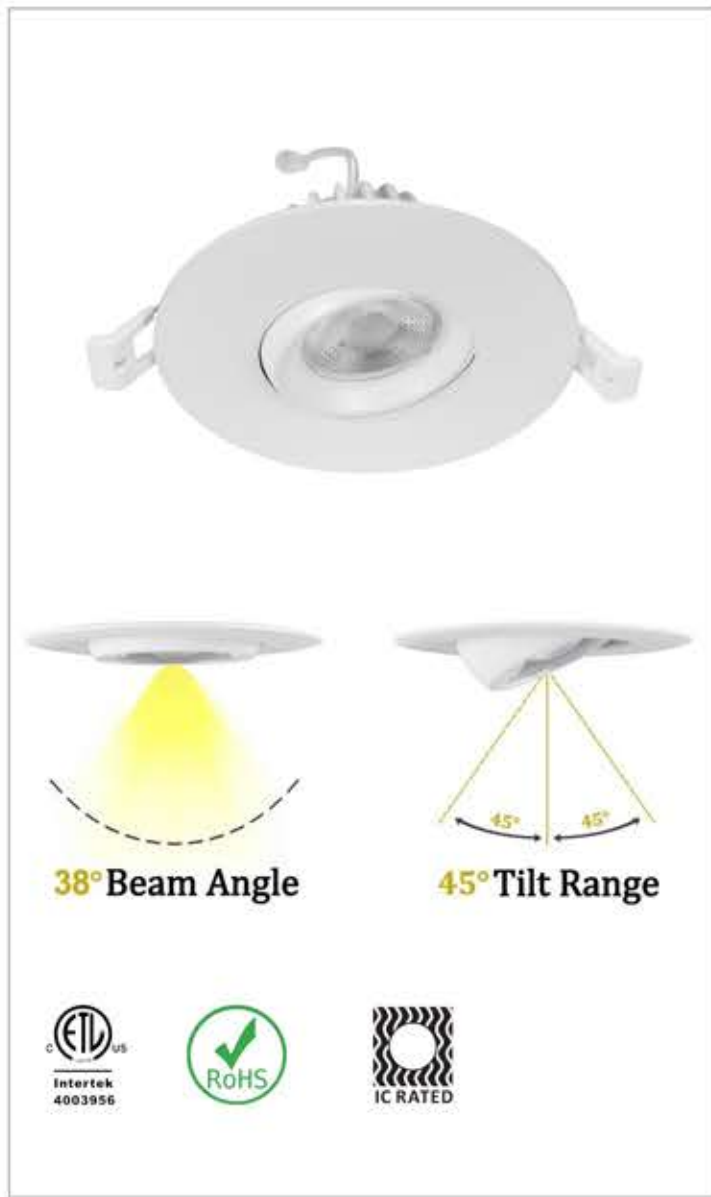




Flicker Free Type IC 4" Gimbal LED Recessed Lights

Part #: , CL-D4-12W

| Job Information | | | |
|-----------------|--|-------|--|
| Project Name | | | |
| Location | | | |
| Quantity | | Date | |
| Contact | | Phone | |



| Specifications | |
|-------------------|-------------------------------|
| Cut-Out Size | 4 inch |
| Wattage | 12 watts |
| Input Volatge | AC110V/120V,60Hz |
| Beam Angle | 38° |
| Light Sourece | COB LED (LM80 Rated) |
| Color Temperature | 27K-30K-35K-40K-50K |
| CRI | >83Ra |
| Lumens Output | 1000lm~ |
| Lumen Efficiency | 85~90lm/w |
| Halogen Equiv. | 100 watts |
| Dimmable | 10%-100% (110V only) |
| Dimming Tech. | Triac dimming |
| Cerification | ETL,cETL |
| Power Factor | >0.95 |
| Projected Life | 50,000hrs at 70% Light Output |
| Warranty | 3 years |
| Approved Location | Damp Locations |
| IC Rated | Yes |
| Air Tight | Yes |

Housing
Durable die-casting aluminum lamp housing with excellent heat dissipation, provide maximum airflow for the COB LED light source.

LED Characteristics
This fixture contains a LM80 rated COB LED module that offer high light color uniformity, 12 watts up to 1050 lumens;

Dimming
This gimbal light is dimmable from 100% down to 5% smoothly and no flicker, works with the majority of standard triac dimmers like Lutron/leviton,etc. Please contact us for compatible dimmer list.

Beam Angle
The fixture lens provides 38° beam spread, the special design makes it possible for 360° rotatable and 45° tilted smoothly.

Mounting
Includes two spring loaded clips to attached to any ceiling material. Easy recessed installation without needing a stand pot light can.

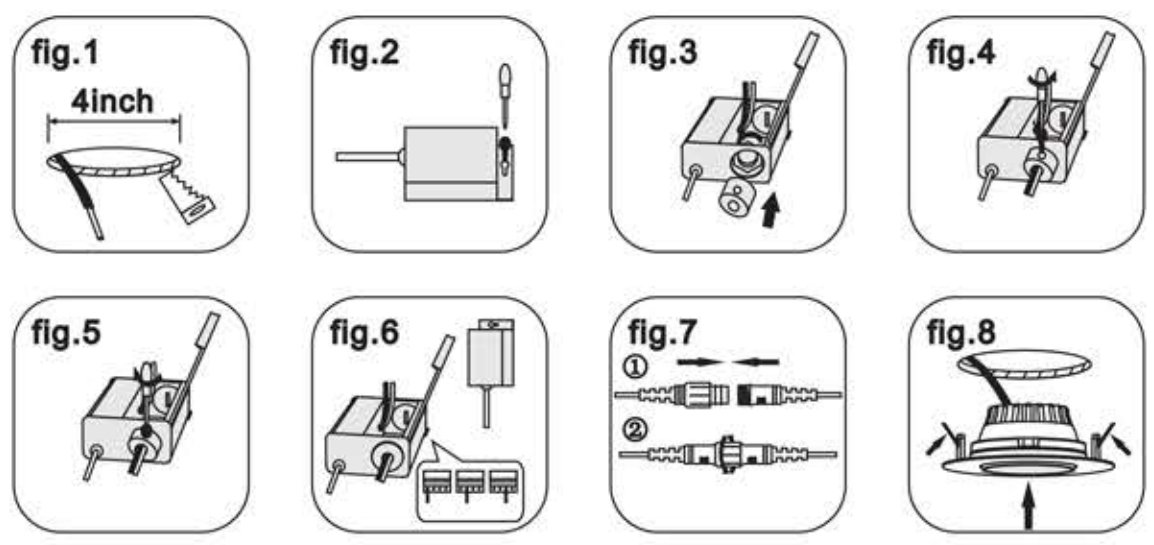
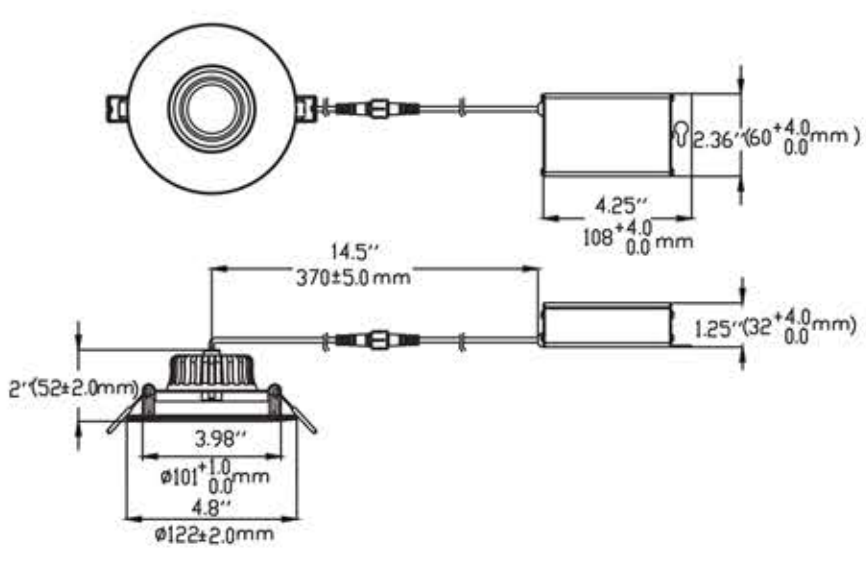
LED Driver
Aluminum/Iron metal driver box with junction box and a reliable isolated constant current dimmable class II electronic LED driver inside.

Quick Connect push-in terminals
Three "Quick connect" push-in terminals for fast and easy wiring. Operating Temperature: -20°C~40°C (-4°F~104°F)

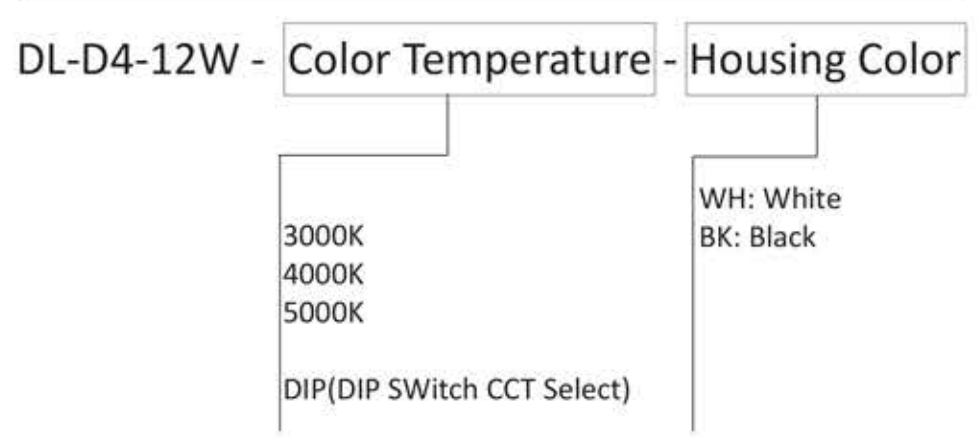
Special Features
CCT Adjustable function - 5 light color in one light.

Version A: Select a color temperature from warm white, nature white, cool white by using the DIP switch on the driver box.

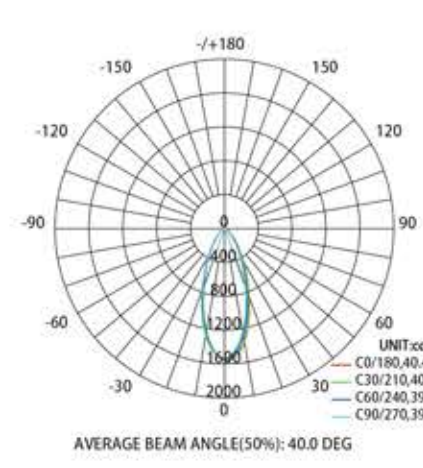
Version B: Adjust the color temperature by switch on and switch off the fixture quickly within 1 seconds to change the light color circularly among warm white, nature white and cool white. Please contact us for more details.



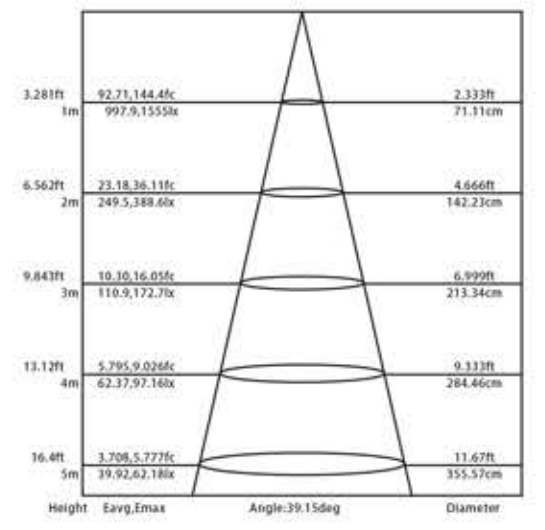
Ordering Guide



LUMINOUS INTENSITY DISTRIBUTION DIAGRAM



Illuminance at a Distance



Model: DL-D4-12W-3000K

*Due to our continued efforts to improve our products, product specifications are subject to change without notice.