



# Type IC 4" Slim Round LED Panel Lights

Part #: GS-P4-B9(5CCT)

Job Information			
Project Name			
Location			
Quantity		Date	
Contact		Phone	



Specifications	
Cut-Out Size	4 inch
Wattage	9 watts
Input Volatge	AC120V,60Hz
Beam Angle	120°
Light Sourece	SMD LED
Color Temperature	27K-30K-35K-40K-50K
CRI	80Ra
Lumens Output	700±5%
Lumen Efficiency	80lm/w
Halogen Equiv.	65 watts
Dimmable	100%-10% (110V only)
Dimming Tech.	Triac dimming
Cerification	cETLus,Energy Star
Power Factor	>0.9
Projected Life	50,000hrs at 70% Light Output
Warranty	3 years
Approved Location	Damp Locations
IC Rated	Yes
Air Tight	Yes

### Housing

Durable die-casting aluminum lamp housing with excellent heat dissipation, provide maximum airflow for the SMD LED light source.

### LED Characteristics

This fixture contains SMD2835 LED module that offer high light color uniformity, 9 watts up to 700 lumens;

### Dimming

This panel light is dimmable from 100% down to 10% smoothly, works with the majority of standard triac dimmers like Lutron/leviton, etc. Please contact us for compatible dimmer list.

### Mounting

Includes two spring loaded clips to attached to any ceiling material. Easy recessed installation without needing a stand pot light can.

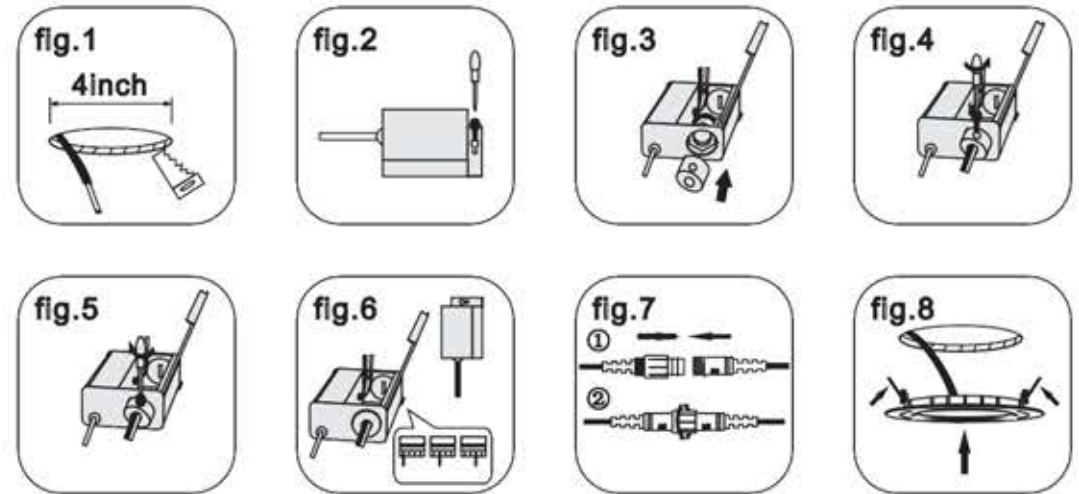
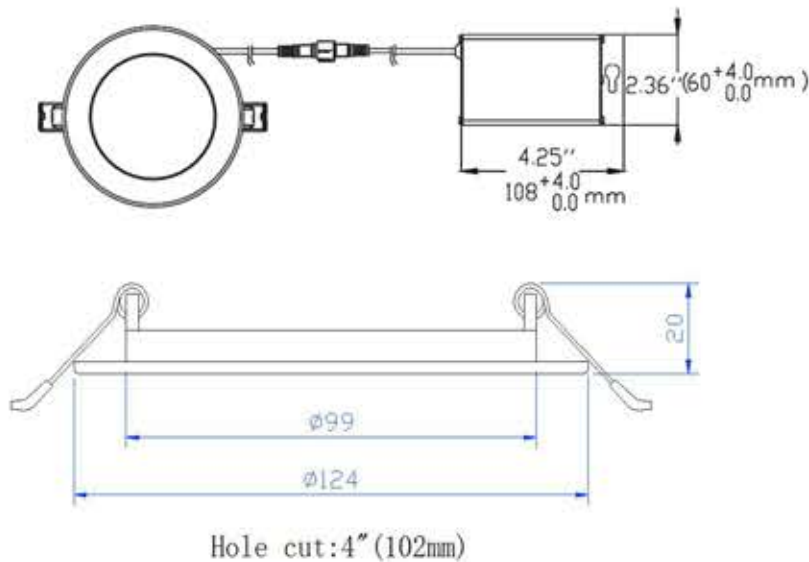
### LED Driver

Iron metal driver box with junction box and a reliable isolated constant current dimmable class II electronic LED driver inside.

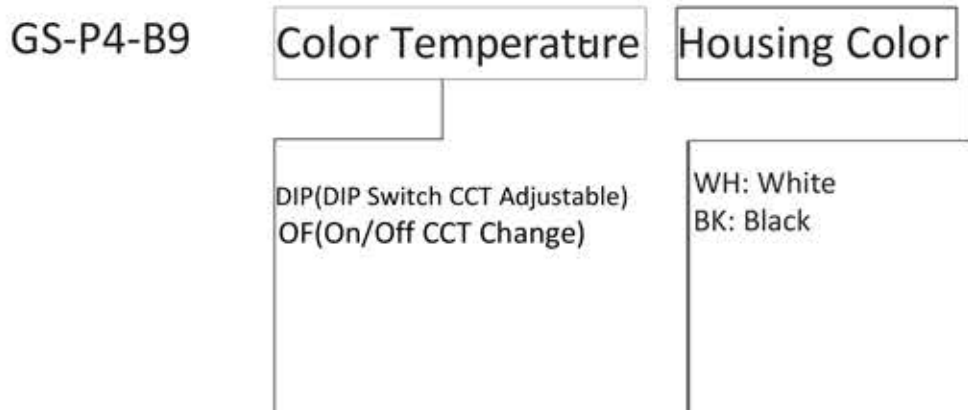
### Special Features

CCT Adjustable function - 5 light color in one light.

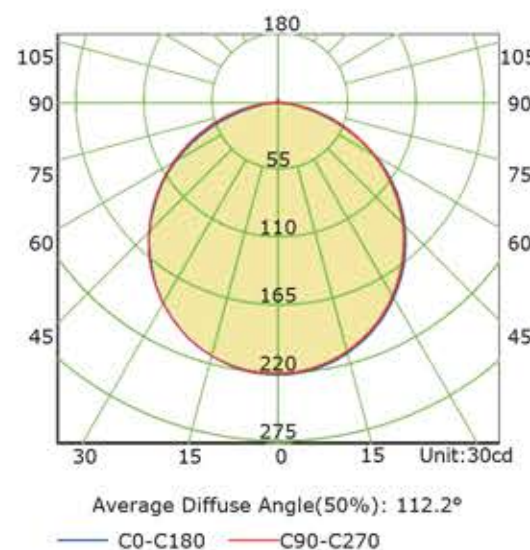
Version A: Select a color temperature from warm white, nature white, cool white by using the DIP switch on the driverbox.



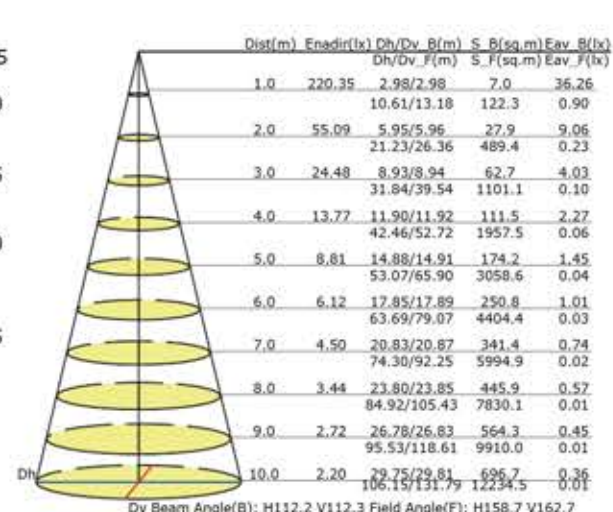
## Ordering Guide



Luminous Intensity Distribution Curve



Illuminance at a Distance



Model: GS-P4-B9-3000K

\*Due to our continued efforts to improve our products, product specifications are subject to change without notice.