



P/N:AST-RWP01B-40WH1CYT1SA1-abcef

Note:

The letter “a” can be 2 letters represent lamp colors, “BH = Black、WH=White、BR=Brown or Customized”

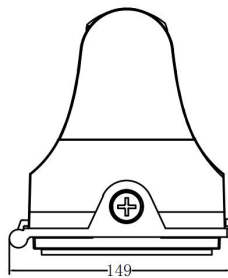
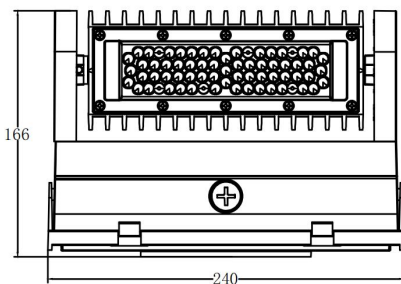
The letter b can be “P” for Photocontrol or blank for no control function, or “M” for motion sensor, “R” for 12V PIR control, “PM” for photocontrol+motion sensor, “PR” for photocontrol+PIR sensor;

The letter c can be any character or empty,S=surge protector,empty means no surge protector ;

The letter e can be two digits to represent CCT,40=4000K,45=4500K,50=5000K,5700K;

The letter f can be “F” for Auxiliary output 12V or empty for no Auxiliary output 12V.

DIMENSIONS



ADVANTAGE

- UL cUL DLC certificate;
- IP65 Internal driver, Input voltage 120-277VAC;
- No UV or IR in the beam;
- Easy to install and operate;
- Energy saving, long lifespan;
- Instant start, NO humming;
- Green and eco-friendly without mercury.

APPLICATION

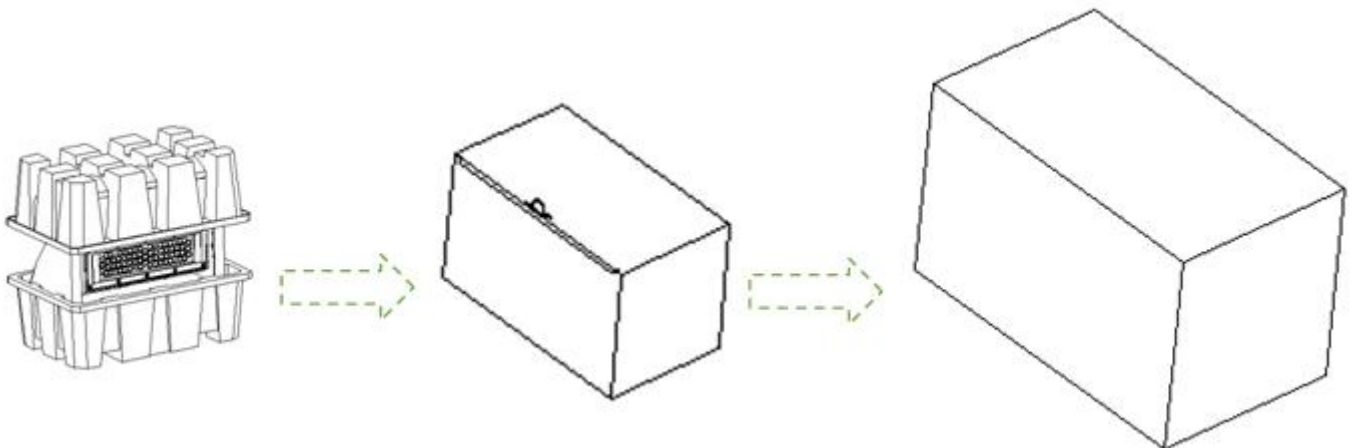
- ◆ Entrance lighting, courtyard lighting;
- ◆ Industrial lighting, Outdoor landscape lighting;
- ◆ Building, The hotel;
- ◆ Wall lighting area and so on.

SPECIFICATIONS

OPTICAL	Input Power	40W
	Lumen	5200-5600LM
	Lumen Efficacy	130-140LM/W
	Color Temperature	4000K, 4500K, 5000K, 5700K
	CRI	>70
	Viewing Angle	60 Degree
ELECTRICAL	Input Voltage	120-277VAC 50/60Hz
	PF	≥0.9
	THD	≤20%
	Driver Model	HB-LPG040-52
MATERIALS	LED Brand	Seoul
	LED Type	SMD 3030
	LED QTY	49 PCS
	Housing	Aluminum Alloy
	Housing Color	Black / Brown/white/customized
	Waterproof Rating	WET (IP65)
OTHERS	Operating Temperature	-30°C TO 45°C
	Operating Humidity	10%-90% RH
	Storage Temperature	-40°C TO 80°C
	Storage Humidity	10%-95% RH
	Warranty Time	5 Years

PACKAGE

Lamp Net Weight	Size	Qty/Carton	Gross Weight / Carton
1.74 kg/pc	415 x 310 x 450 mm	4 pcs	9.5 kg



LIGHT DISTRIBUTION TESTING PARAMETERS

Luminaire Property

Luminaire Manufacturer:

Voltage: 120.0 V

Power: 39.46 W

Current: 0.334 A

Power Factor: 0.986

Photometric Results

IES Classification: Type I

Total Rated Lamp Lumens: 5663.8 lm

Efficiency: 100%

Upward Ratio: 2%

Central Intensity: 4584.94 cd

Pos of Max. Intensity: H157.5 V2

Longitudinal Classification: Very Short

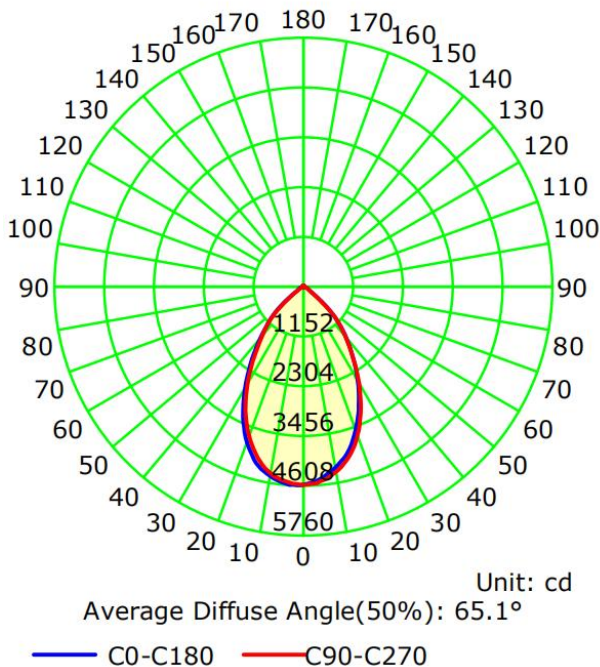
Measurement Flux: 5663.8 lm

Downward Ratio: 98%

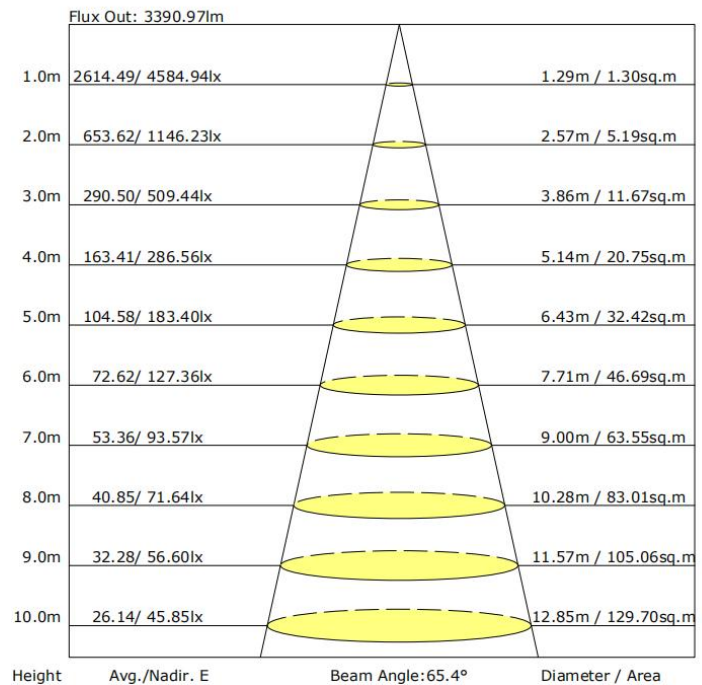
Luminaire Efficacy Rating (LER): 143.58

Max. Intensity: 4608.34 cd

Luminous Intensity Distribution Curve



The Average Illuminance Effective Figure



NOTICE FOR USER

- Please turn off power before install or change assembly parts.
- The input voltage and lamps should be matched, after connecting the power line, Please make sure the wiring section is insulated.
- No-professionals, must not install and disassemble the lamps.

TROUBLE SHOOTINGS

Troubles	Check points
Flickering of the light	Turn off the power and turn on again in 3 minutes. If same phenomena occur, then call agencies.
Out of working	Please check the connection.