



P/N:AST-RWP01B-120WF1CYT1SA2-abcef

Note:

The letter "a" can be 2 letters represent lamp colors, "BH = Black、WH=White、BR=Brown or Customized"

The letter b can be "P" for Photocontrol or blank for no control function, or "M" for motion sensor, "R" for 12V PIR control, "PM" for photocontrol+motion sensor, "PR" for photocontrol+PIR sensor;

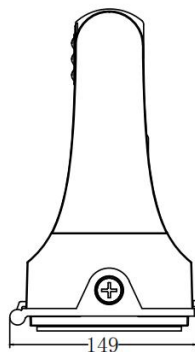
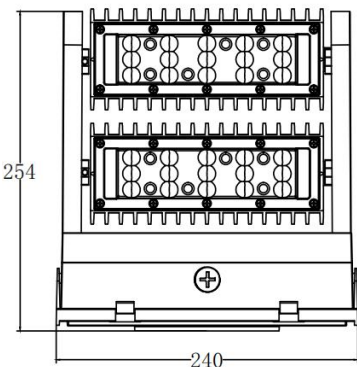
The letter c can be any character or empty,S=surge protector,empty means no surge protector;

The letter e can be two digits to represent CCT,40=4000K,45=4500K,50=5000K,57=5700K;

The letter f can be "F" for Auxiliary output 12V or empty for no Auxiliary output 12V.



DIMENSIONS



ADVANTAGE

- UL cUL DLC certificate;
- IP65 Internal driver, Input voltage 120-277VAC;
- No UV or IR in the beam;
- Easy to install and operate;
- Energy saving, long lifespan;
- Instant start, NO humming;
- Green and eco-friendly without mercury.

APPLICATION

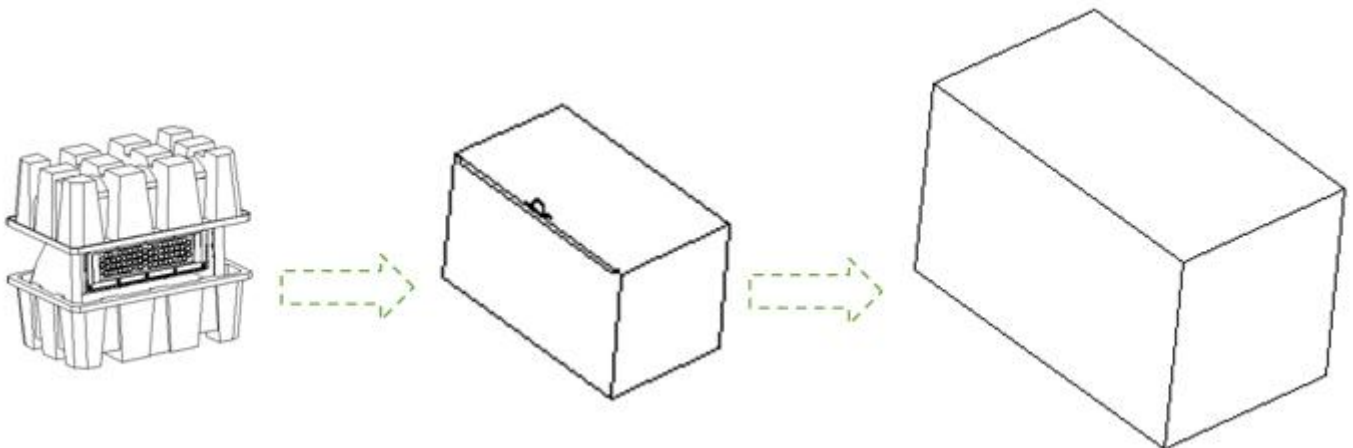
- ◆ Entrance lighting, courtyard lighting;
- ◆ Industrial lighting, Outdoor landscape lighting;
- ◆ Building, The hotel;
- ◆ Wall lighting area and so on.

SPECIFICATIONS

| | | |
|-------------------|-----------------------|--------------------------------|
| OPTICAL | Input Power | 120W |
| | Lumen | 15600-16800LM |
| | Lumen Efficacy | 130-140LM/W |
| | Color Temperature | 4000K, 4500K, 5000K, 5700K |
| | CRI | >70 |
| | Viewing Angle | 60 Degree |
| ELECTRICAL | Input Voltage | 120-277VAC 50/60Hz |
| | PF | ≥0.9 |
| | THD | ≤20% |
| | Driver Model | FD-150E-054B |
| MATERIALS | LED Brand | Seoul |
| | LED Type | SMD 3030 |
| | LED QTY | 126 PCS |
| | Housing | Aluminum Alloy |
| | Housing Color | Black / Brown/white/customized |
| | Waterproof Rating | WET (IP65) |
| OTHERS | Operating Temperature | -30°C TO 45°C |
| | Operating Humidity | 10%-90% RH |
| | Storage Temperature | -40°C TO 80°C |
| | Storage Humidity | 10%-95% RH |
| | Warranty Time | 5 Years |

PACKAGE

| Lamp Net Weight | Size | Qty/Carton | Gross Weight / Carton |
|-----------------|--------------------|------------|-----------------------|
| 3.14 kg/pc | 415 x 310 x 320 mm | 2 pcs | 8.1 kg |



LIGHT DISTRIBUTION TESTING PARAMETERS

Luminaire Property

Luminaire Manufacturer:

Voltage: 120.0 V

Power: 117.51 W

Current: 0.980 A

Power Factor: 0.999

Photometric Results

IES Classification: Type I

Total Rated Lamp Lumens: 16194.4 lm

Efficiency: 100%

Upward Ratio: 1%

Central Intensity: 13375.33 cd

Pos of Max. Intensity: H180 V2

Longitudinal Classification: Very Short

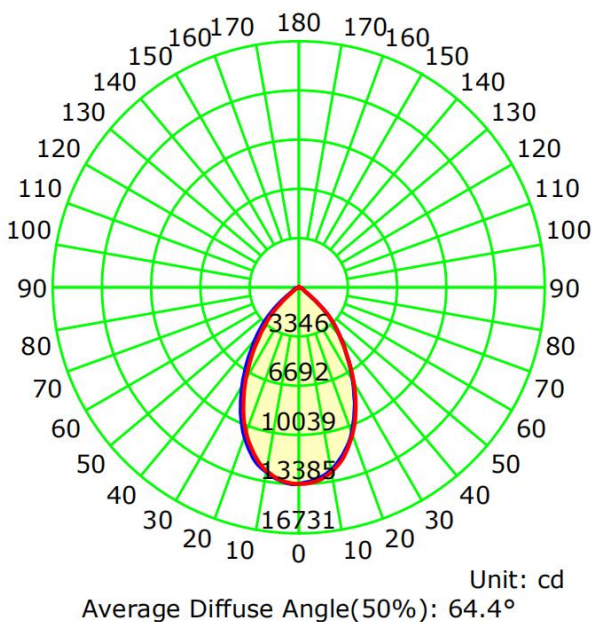
Measurement Flux: 16194.4 lm

Downward Ratio: 99%

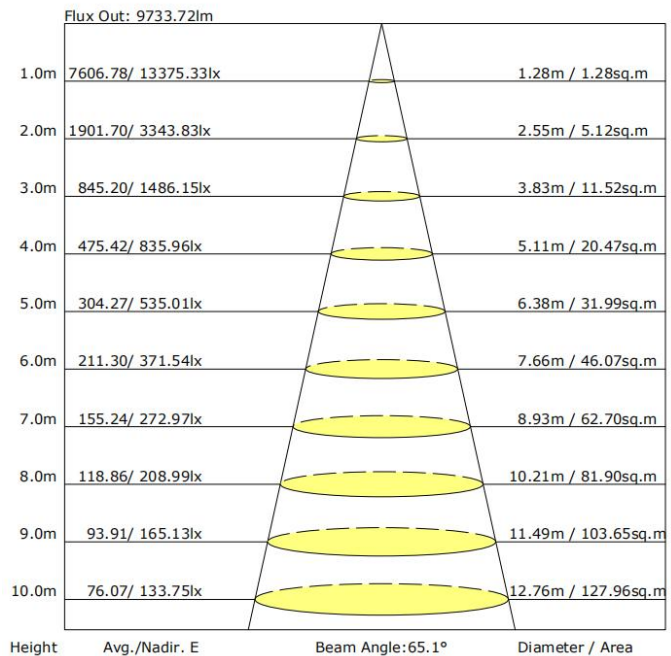
Luminaire Efficacy Rating (LER): 137.86

Max. Intensity: 13385.59 cd

Luminous Intensity Distribution Curve



The Average Illuminance Effective Figure



— C0-C180 — C90-C270

NOTICE FOR USER

- Please turn off power before install or change assembly parts.
- The input voltage and lamps should be matched, after connecting the power line, Please make sure the wiring section is insulated.
- No-professionals, must not install and disassemble the lamps.

TROUBLE SHOOTINGS

| Troubles | Check points |
|-------------------------|--|
| Flickering of the light | Turn off the power and turn on again in 3 minutes. If same phenomena occur, then call agencies. |
| Out of working | Please check the connection. |